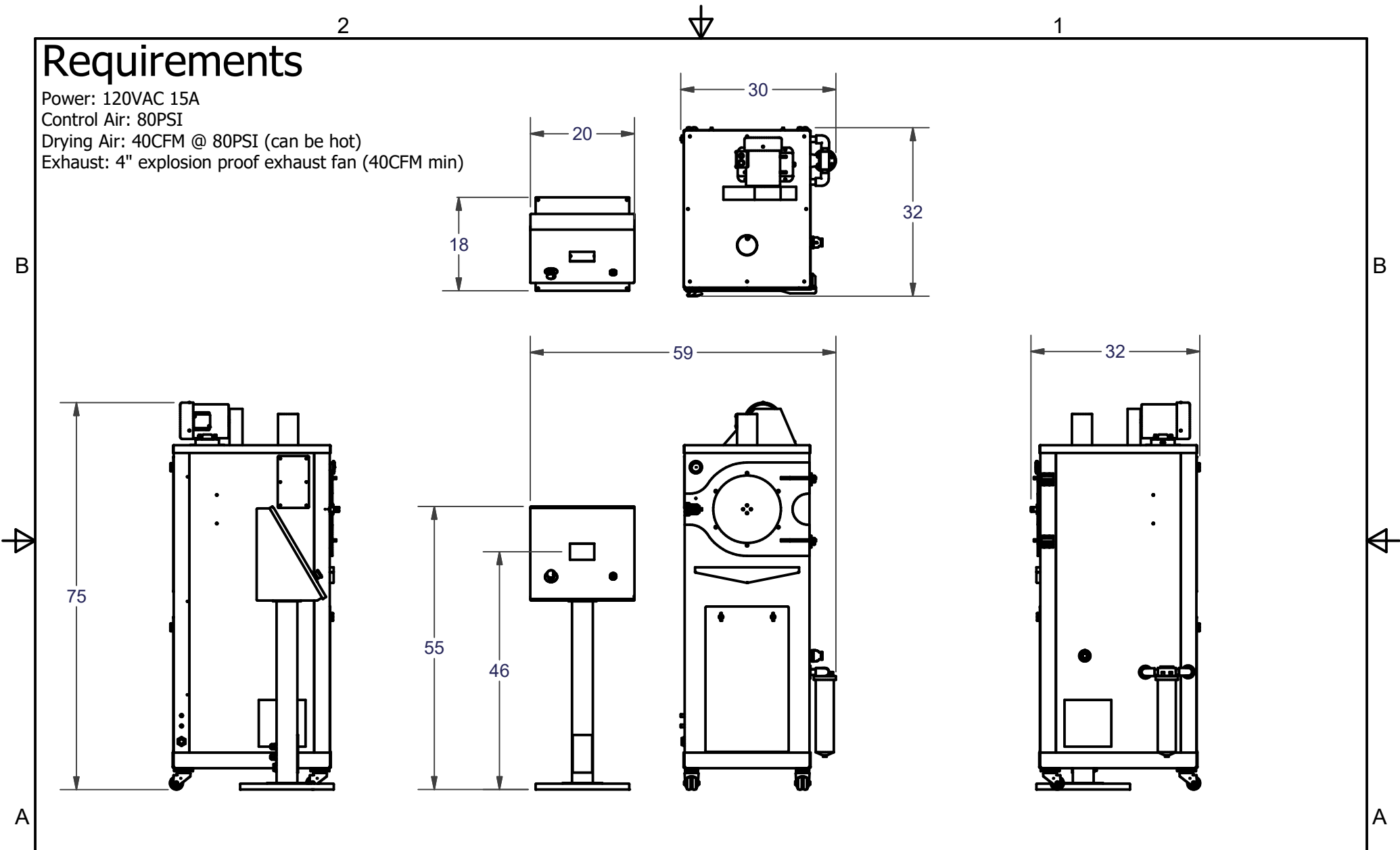


# Requirements

Power: 120VAC 15A  
 Control Air: 80PSI  
 Drying Air: 40CFM @ 80PSI (can be hot)  
 Exhaust: 4" explosion proof exhaust fan (40CFM min)



*Leonard Enterprises, Inc.*

DRAWN Jeffrey Kobus		2/13/2019		TITLE IPA Washer, 1/2 cu ft		
CHECKED				SIZE Machine Rev		
MFG				A 1.0		DWG NO IPA-050-01
APPROVED				SCALE		REV 1
				IPA		SHEET 2 OF 5

All dimensions are approximate and subject to change.

2

1